

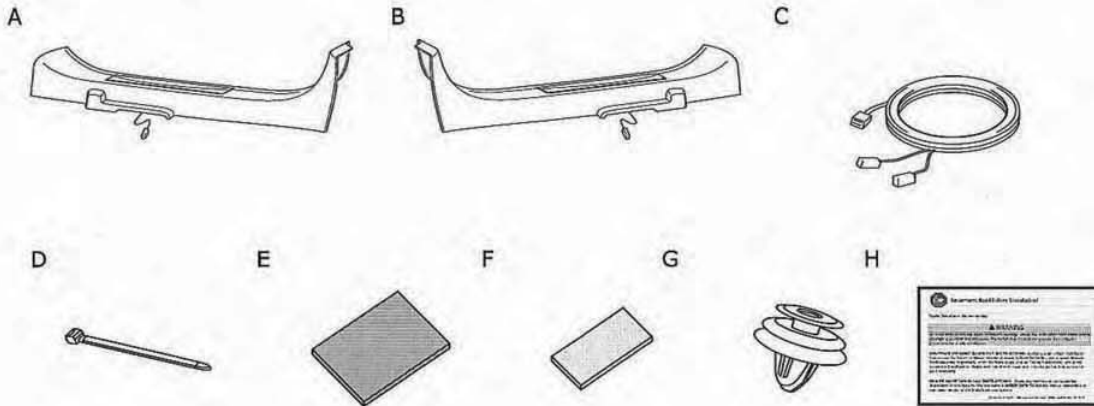


GENUINE PARTS

INSTALLATION INSTRUCTIONS

1. **DESCRIPTION:** Illuminated Kick Plate
2. **APPLICATION:** QX70
3. **PART NUMBER:** G6950-3EV0A / G6950-3EV0B
4. **KIT CONTENTS:**

Item	QTY	Description
A	1	Front kick plate inner LH
B	1	Front kick plate inner RH
C	1	harness
D	11	Tie wrap
E	3	Urethane foam tape
F	9	Flat wire protector
G	10	Clip trim
H	1	Installation Instruction Replacement Template



5. TOOLS REQUIRED:

- Nylon removal tool
- Wire cutter
- Masking tape
- Flash light
- Fish tape
- Soft non linting towel
- Scissors

INSTALLATION INSTRUCTIONS - ILLUMINATED KICK PLATE

6. PRE-INSTALLATION CAUTIONS/NOTES

⚠ CAUTION

- Dealer Installation Recommended. Instructions refer to Service Manual.
- Please read this instruction carefully before installing this product for correct installation.
- Please DO NOT use or install the part in ways other than what is described in this instruction manual.
- If problem occurs during installation, please contact Nissan dealer where you purchased the product.

- 1) Apply Parking Brake.
- 2) Make sure the shift lever is engaged in "P" or "N" position.
- 3) Record customer Radio Presets.

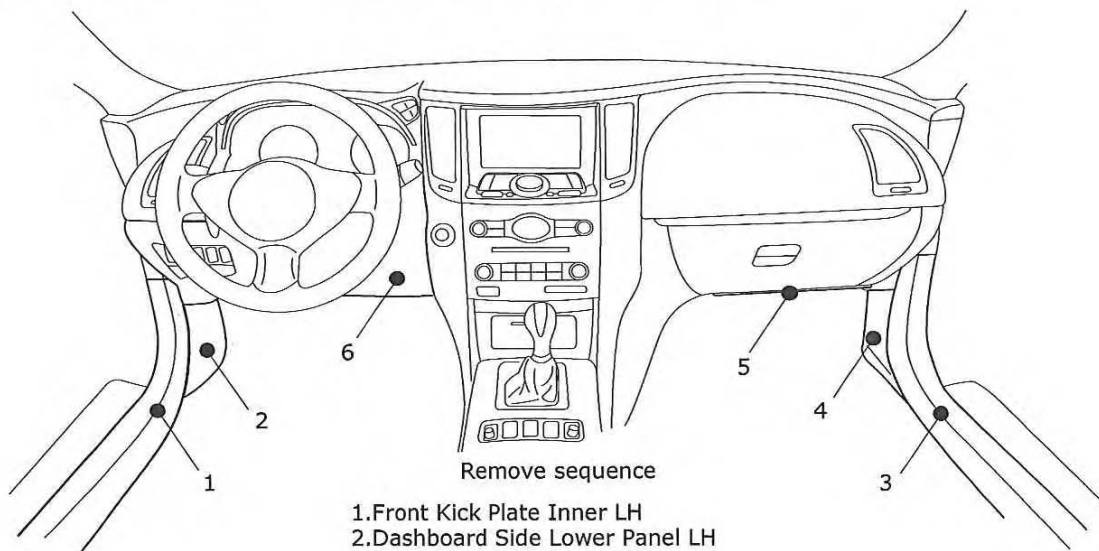
Preset	1	2	3	4	5	6
A						
B						
C						

- 4) Move the front driver and passenger seats to the most rear ward position.
- 5) Use seat and floor protection.
- 6) Open the hood of the vehicle.
- 7) Disconnect the negative battery terminal to prevent short circuits during installation.
- 8) This part is to be installed at a surface temperature of 65-100°F.
- 9) Do not wash the vehicle for 24 hours after installing to prevent the double-sided tape from peeling.

⚠ CAUTION

- Care must be taken not to scratch or damage any components during the removal or replacement process.

- 10) Remove the following interior trim parts in the sequence shown below.

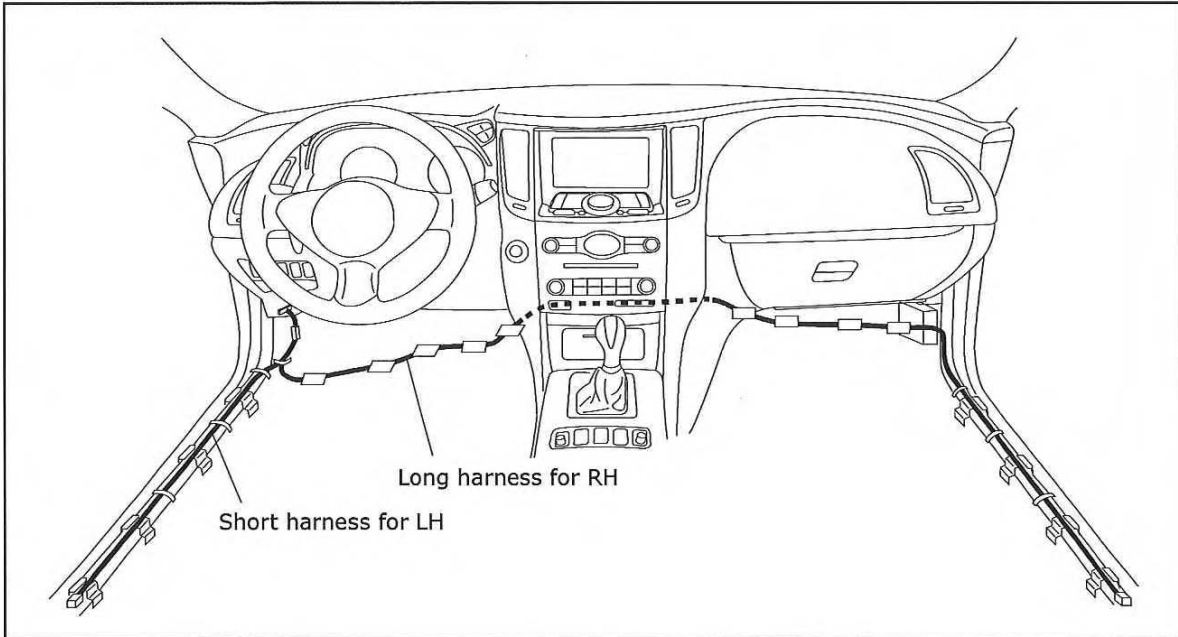


Remove sequence

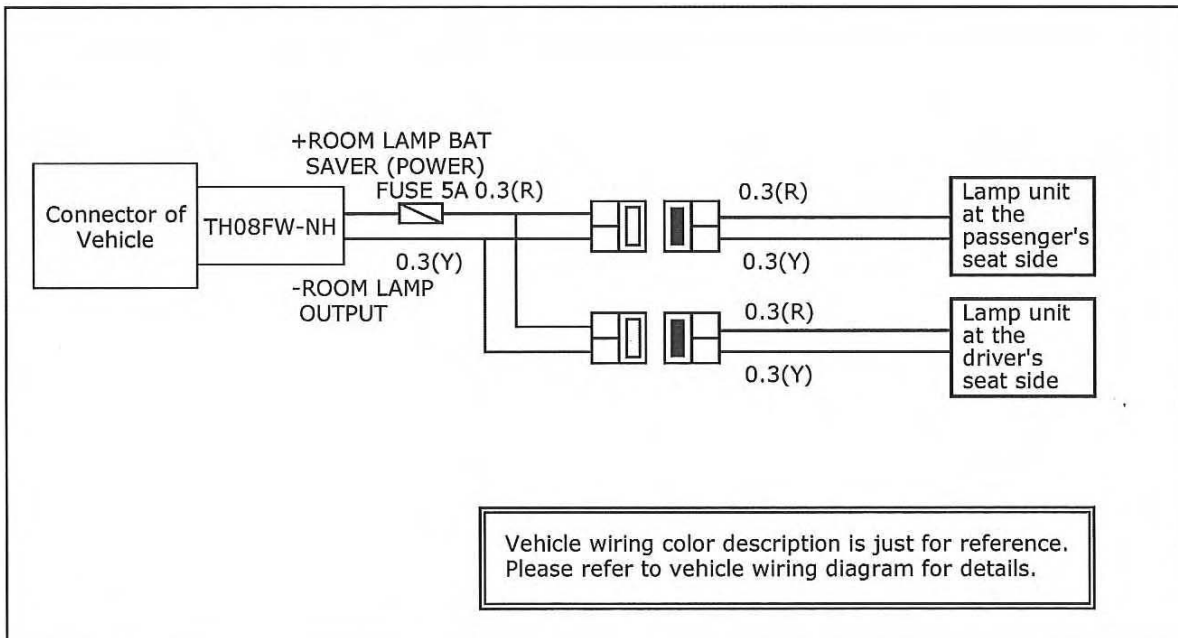
1. Front Kick Plate Inner LH
2. Dashboard Side Lower Panel LH
3. Front Kick Plate Inner RH
4. Dashboard Side Lower Panel RH
5. Instrument Passenger Lower Cover
6. Instrument Driver Lower Panel

INSTALLATION INSTRUCTIONS - ILLUMINATED KICK PLATE

7. INSTALLATION OUTLINE

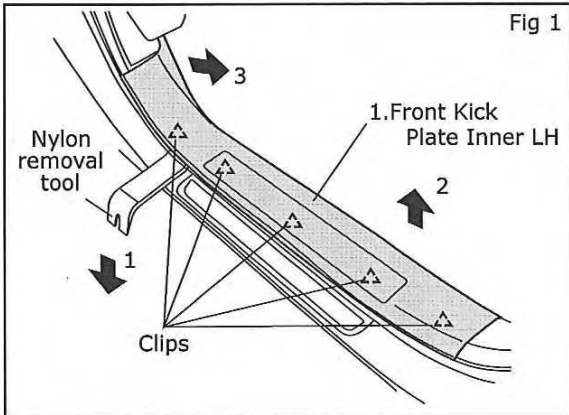


8. STANDARD CONNECTION METHOD

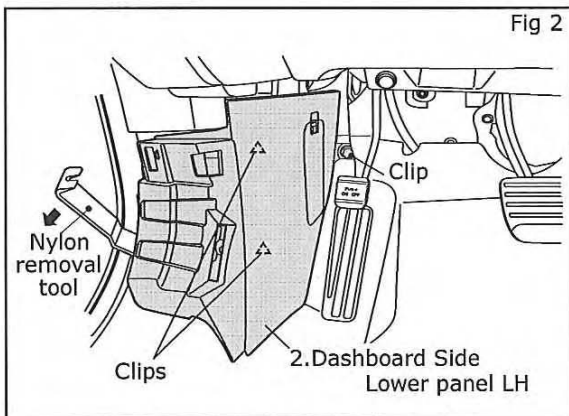


INSTALLATION INSTRUCTIONS - ILLUMINATED KICK PLATE

9. VEHICLE PARTS REMOVAL

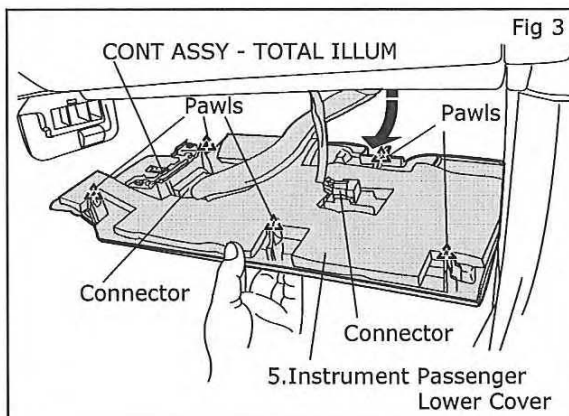


- 1) Front Kick Plate Inner LH removal
 - a) Disengage clips with nylon removal tool.
 - b) Pull up front kick plate inner LH from rear to remove. See Fig 1.



- 2) Dashboard Side Lower Panel LH removal
 - a) Remove clip.
 - b) Disengage dash side finisher mounting clips with nylon removal tool, then remove dashboard side lower panel LH (2). Shown in Fig 2.

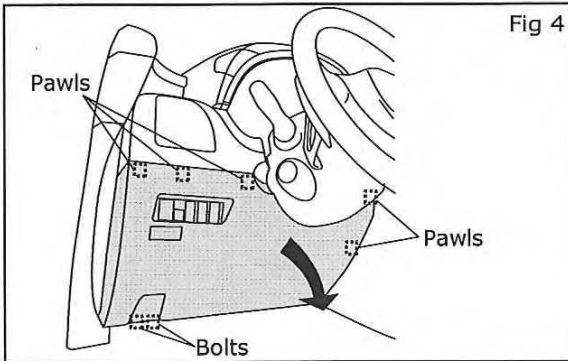
- 3) Repeat steps 1)-2) for RH side of vehicle



- 4) Instrument Passenger Lower Cover removal
 - a) Pull cover downward to disengage pawls.
 - b) Pull back instrument passenger lower cover (5). Shown in Fig 3.
 - c) Disconnect 2 connectors from the instrument passenger lower cover(5)

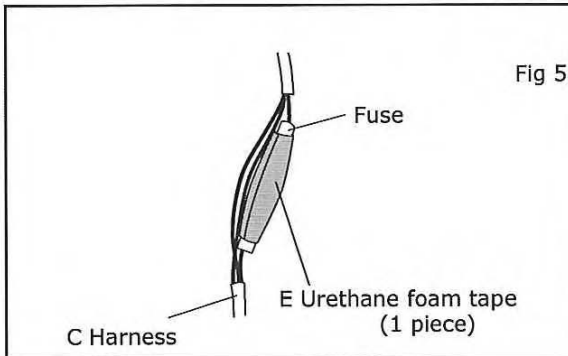
INSTALLATION INSTRUCTIONS - ILLUMINATED KICK PLATE

9. VEHICLE PARTS REMOVAL



- 5) Instrument Driver Lower Panel removal
 - a) Remove bolts. Shown in Fig 4.
 - b) Remove the Instrument Driver Lower Panel.

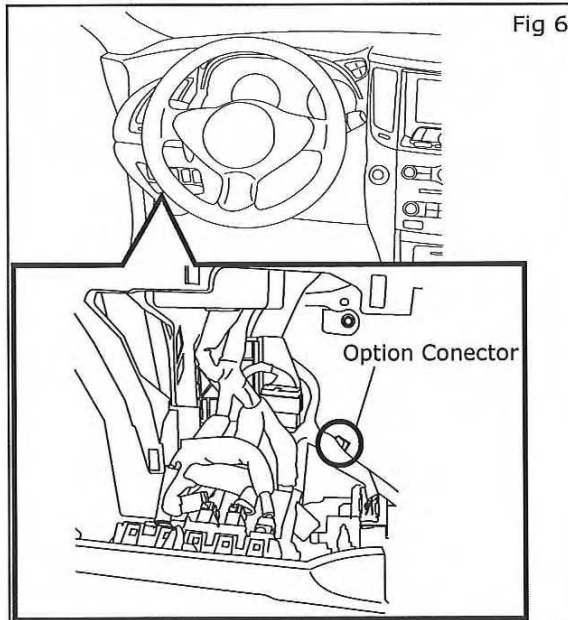
10. WIRING HARNESS INSTALLATION



CAUTION

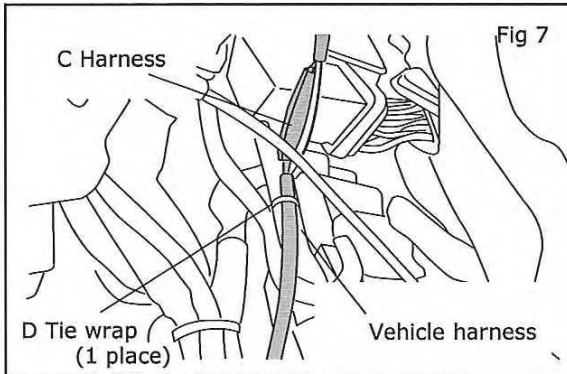
● Connector pull test should be less than 10kgf (22 lbs) to confirm secure connection to vehicle connector.

- 1) Wrap the fuse of Harness (C) with one piece of Urethane foam tape (E). Shown Fig 5.
- 2) Connect connector (TH08FW-NH) on harness (E) to the option connector (TH08MW-NH).

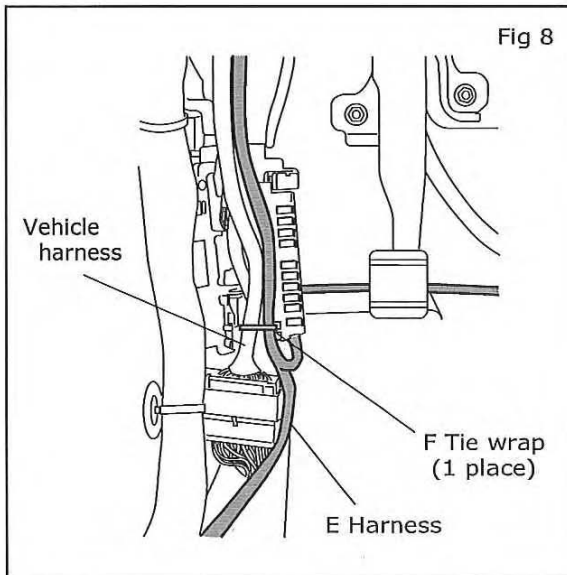


INSTALLATION INSTRUCTIONS - ILLUMINATED KICK PLATE

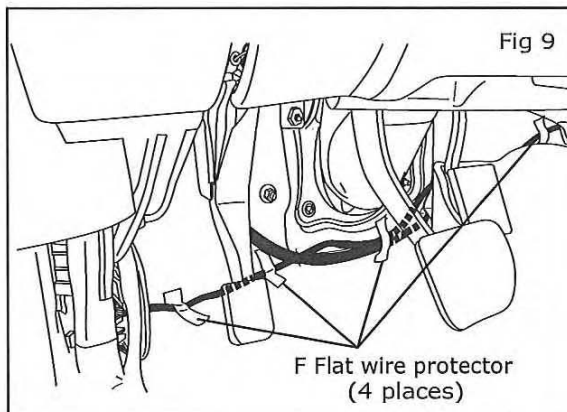
10. WIRING HARNESS INSTALLATION CONT'D



- 3) Secure the fuse to Harness (C) at the position shown in Fig 7, using the Tie wrap (D).



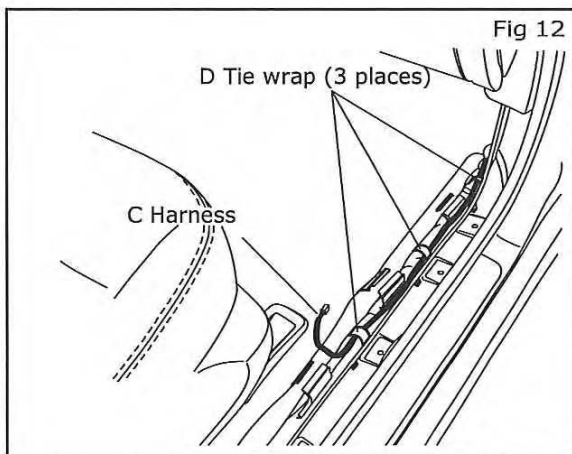
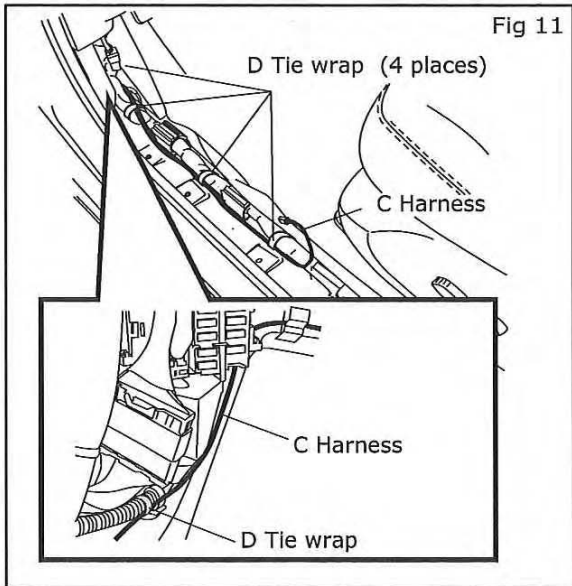
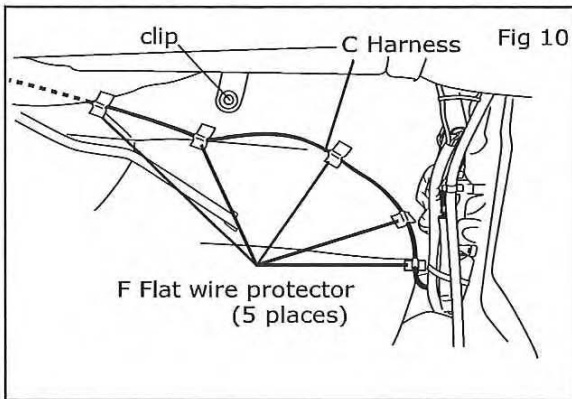
- 4) Secure the Harness(C) to vehicle harness at the position shown in Fig 8, using the Tie wrap (D).



- 5) Flip the carpet of the driver's side, route harness under the accelerator pedal bracket and attach harness to floor using Flat wire protector (F) shown in Fig 9. (4places)

INSTALLATION INSTRUCTIONS - ILLUMINATED KICK PLATE

10. WIRING HARNESS INSTALLATION CONT'D



- 6) Remove one clip from front passenger side carpet. Shown in Fig 10.
- 7) Flip the carpet of passenger side.
- 8) Route fish tape behind center console from passenger side to driver's side.
- 9) Attach harness to fish tape.
- 10) Pull harness with fish tape behind center console.
- 11) Attach passenger side harness using the Flat wire protector (F) shown in Fig 10. (5places)
- 12) Route driver side harness through existing vehicle harness protector and Tie wrap (D) the harness at the position shown in Fig11. (4 places)
- 13) Route passenger side harness through existing vehicle harness protector and fix the harness at the position shown in Fig12, using the Tie wrap (D). (3places)
- 14) Function check
 - a) Connect T-harness to kick plate lamp unit harness.
 - b) Connect battery.
 - c) Check function. Confirm "INFINITI" text illuminates when either door is open.
 - d) If OK, disconnect T-harness from kick plate harness.
 - e) If NG, check harness routine, connections and lamp unit to identify root cause and fix it. Repeat steps a) to c) until it is OK.
 - f) Disconnect battery.

INSTALLATION INSTRUCTIONS - ILLUMINATED KICK PLATE

11. HARNESS CONNECTION INSTALLATION

The procedure below shows the installation for LH side. Repeat procedure for RH side.

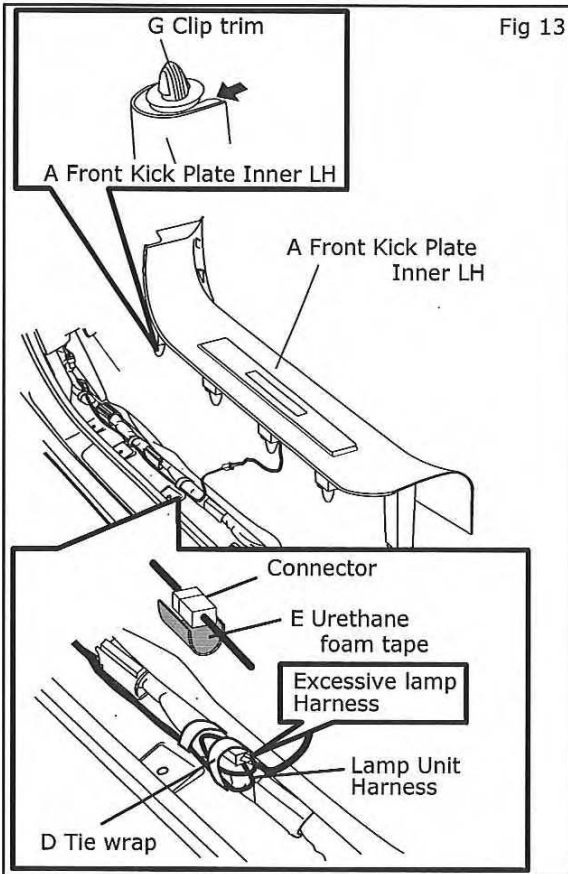


Fig 13

- 1) Insert five clips in front kick plate inner LH (A).
- 2) Connect the connectors and apply the urethane foam tape (E) on the connecting section shown in fig 13.
- 3) Attach excessive lamp harness to the vehicle harness with a tie wrap (D) shown in Fig 13.
- 4) Cut excessive tie wrap.

12. RE-INSTALLATION

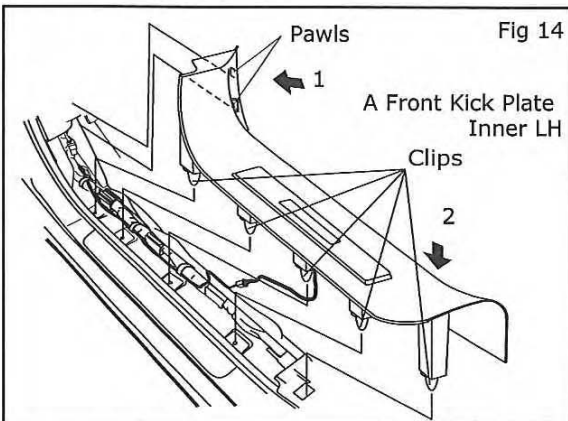


Fig 14

- 1) Reinstall dashboard side lower panel (2).
- 2) Install front kick plate inner (A) in correct position starting from front end. Shown in Fig 14.

⚠ CAUTION

- Do not attach the harness to sharp metal edge.
- Use caution when applying pressure as the surface may dent.
- During installation, be careful not to allow the harness to get stuck between the vehicle and the kick plate.

INSTALLATION INSTRUCTIONS - ILLUMINATED KICK PLATE

13. CHECK AFTER INSTALLATION

- 1) Please check that the installation has no problem.
- a) confirm connection of connector
 - b) confirm whether wire harness is fixed.

14. FUNCTION CHECK

- 1) Re-connect battery negative terminal.
- 2) Confirm "INFINITI" text is illuminated when either door is in the opened position.

15. REINSTALLATION OF REMOVED PARTS

- 1) All removed vehicle parts have been reinstalled.

CAUTION

- Use caution when re-installing interior components to avoid damage, scratch, or breaking of mounting clips.

- 2) Clean interior of vehicle.

16. VEHICLE CHECK

- 1) Remove all tools from the vehicle.
- 2) Inspect reinstalled interior trim parts for proper panel fit.
- 3) Reset radio presets to the recorded setting.
- 4) Turn ignition to ON position.
- 5) Confirm proper radio operation.
- 6) Initialize sun roof, and power window operation.
- 7) Confirm proper operation of the rear window washer fluid.
- 8) Confirm the functionality of all four blinkers and hazard warning signal flasher.
- 9) Confirm the operation of all door lock and unlock using remote key.
- 10) Reset windows. When window is completely up, continue to hold in up position for 4 seconds.
- 11) Turn ignition to off position.

CAUTION

- During restoring, please use caution so as not to cause the stacking of the vehicle's harness, or damage any other parts.